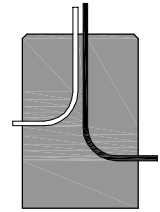
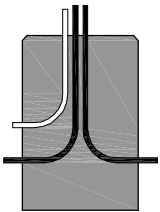


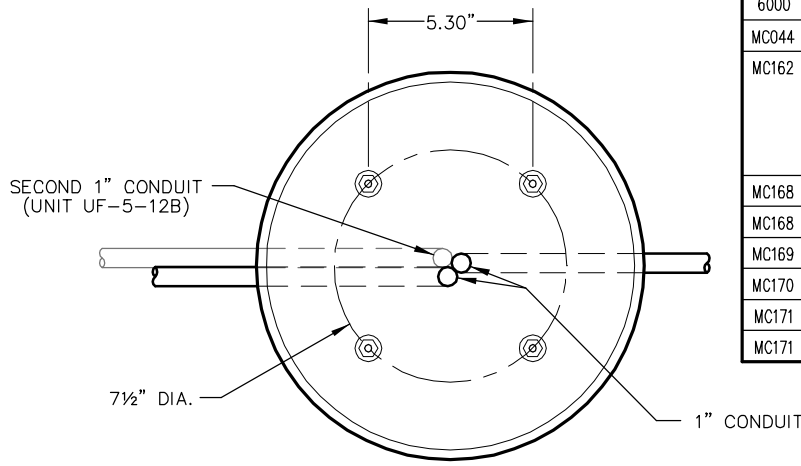
CONDUITS



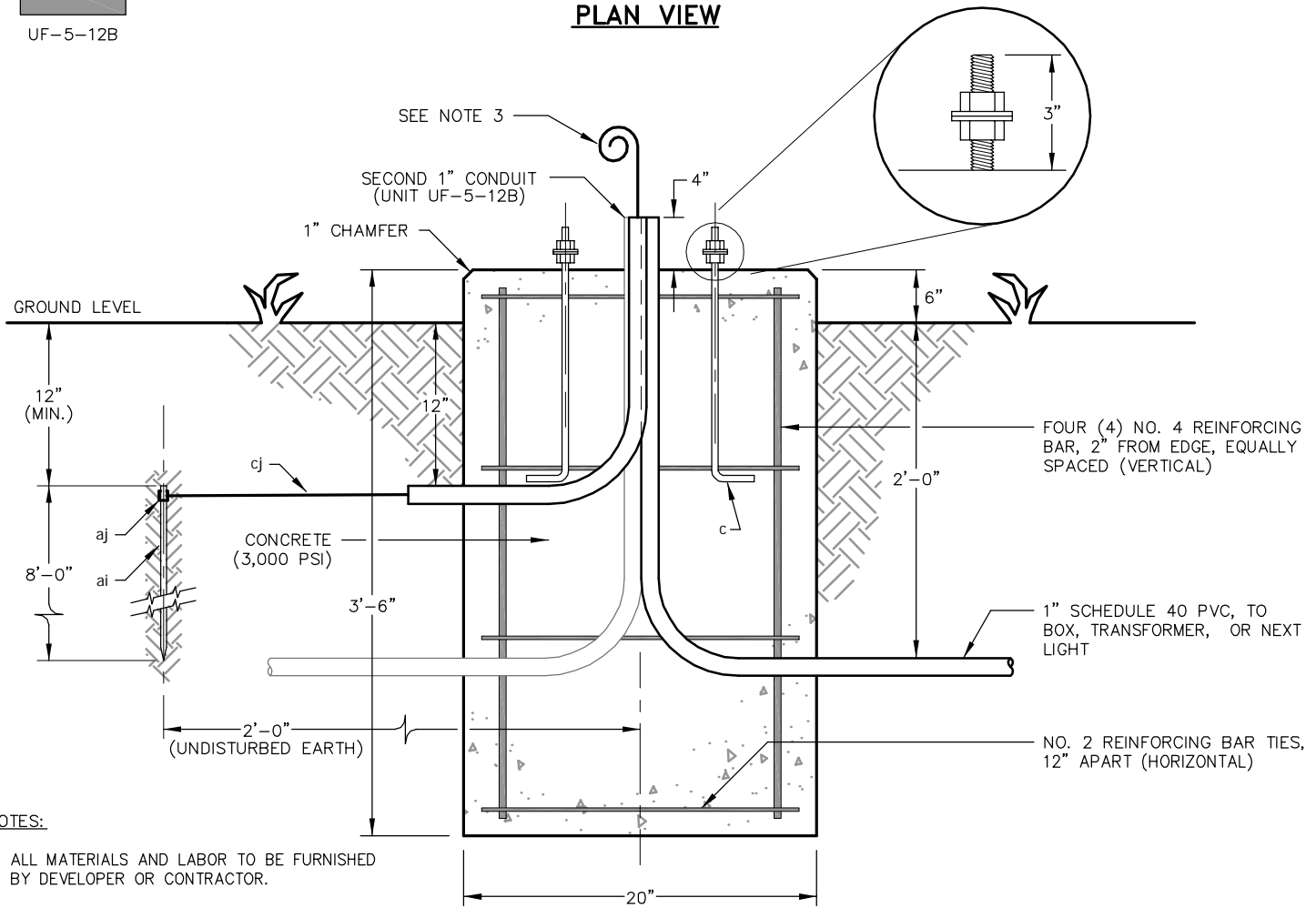
UF-5-12A



UF-5-12B



PLAN VIEW



ELEVATION VIEW

CODE	ITEM	NO. REQ'D	MATERIAL
2150	ai	1	Rod, Ground, 5/8" diameter
6000	cj	As req'd	Ground wire, No. 4 bare copper
MC044	aj	1	Clamp, Ground Rod Wire
MC162	c	4	Bolt, Anchor 3/4" X 1 1/4" 10 NC Galvanized Steel, ASTM A576, 50,000 PSI min. yield, 8" of threaded end galvanized per ASTM A153, with 2 galvanized steel hex nuts and 2 washers per bolt
MC168	16'		#2 Concrete Rebar
MC168	12'		#4 Concrete Rebar
MC169	0.283		Concrete (Cubic Yards)
MC170	1		Concrete Form, SonoTube (20")
MC171	2		1" Schedule 40 PVC Elbow (UF-5-12A)
MC171	3		1" Schedule 40 PVC Elbow (UF-5-12B)

NOTES:

1. ALL MATERIALS AND LABOR TO BE FURNISHED BY DEVELOPER OR CONTRACTOR.
2. W.R.E.C.C. DITCH INSPECTOR TO APPROVE BEFORE CONCRETE POUR AND AT COMPLETION.
3. EXTEND BARE Cu. GROUND WIRE 18" (MIN) FROM TOP OF FOUNDATION.
4. FOUNDATION TOP TO BE LEVEL AND FINISH TO BE SMOOTH AND FREE OF VOIDS. SONOTUBE TO EXTEND A MINIMUM OF 12" BELOW GROUND GRADE.
5. ALIGN ANCHOR BOLTS TO BE PARALLEL TO STREET.



REV	DATE	REVISION
6	04/26/12	MODIFIED #4 REBAR LENGTH TO 12 FT. (WMB)
5	10/01/08	CHANGED OFFSET DISTANCE FOR GROUND ROD (RLY)
4	09/29/08	REVISED CONDUIT TO 1", ADDED SPEC TO ANCHOR BOLTS (WMB)
3	08/19/08	ADDED NOTE 5 AND "3,000 PSI" TO CONCRETE LEADER
2	11/16/07	CHANGED "FIXTURE PATTERN" TO "TYPE OF POLE" IN BOLT CIRCLE CHART
1	09/04/07	CHANGED "A" DIAMETER FROM 7" TO 7 1/2"

Designed by A. FLETCHER	Checked by SLG	STREET LIGHT STANDARD FOUNDATION FOR 14 FT. AND BELOW POLES
Approved by	Drawn by WMB	Autocad File: G:\DATA\CAD\SPECIFICATIONS\WRECC\UF-5-12.DWG
Date 05/23/2007	Scale NOT TO SCALE	Drawing Name: UF-5-12

NAME: UF-5-12.dwg DATE: APR 26, 2012 TIME: 2:07 PM