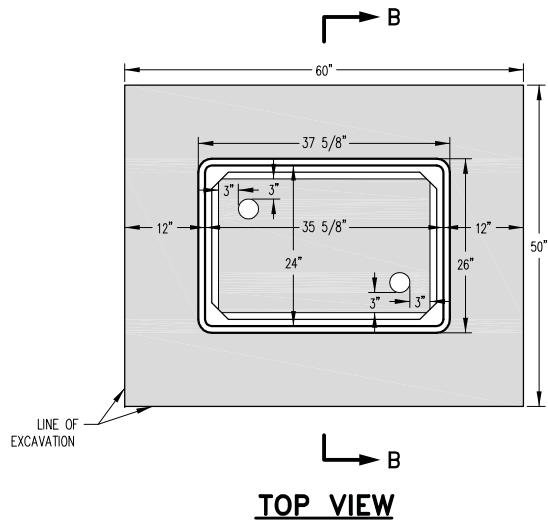
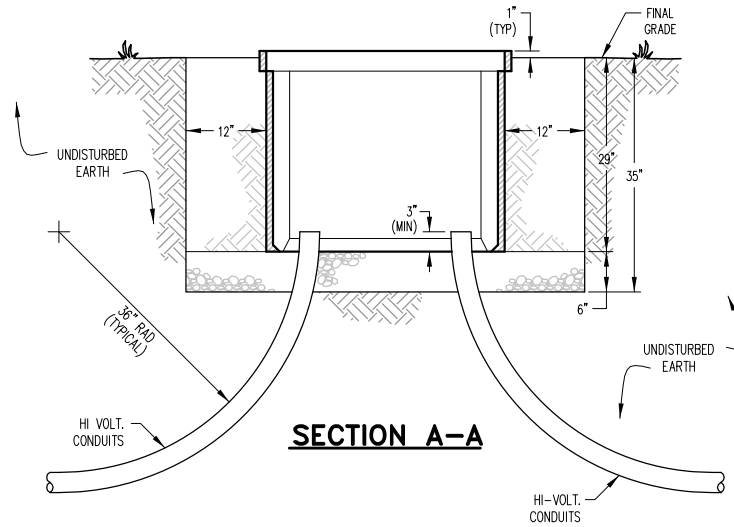


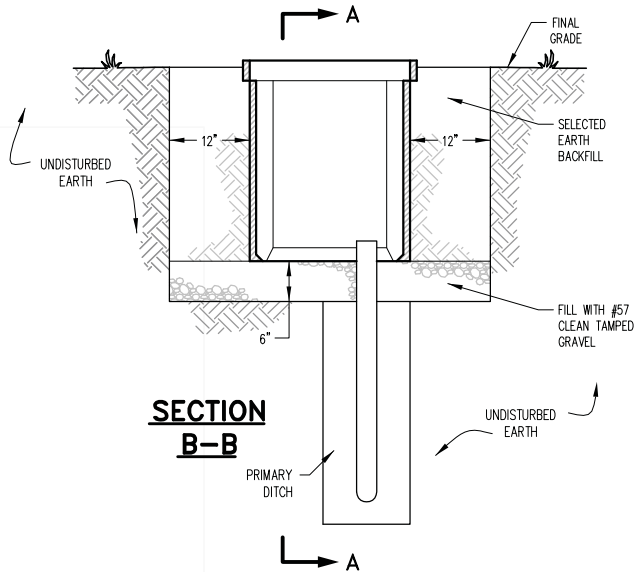
NAME: UM1-14.dwg DATE: OCT 30, 2013 TIME: 9:18 AM



**TOP VIEW**



**SECTION A-A**



**SECTION B-B**



**DISTRIBUTORS:**

**WINNELSON**  
BOWLING GREEN, KENTUCKY  
TEL: (270) 781-2317

**BORDER STATE SUPPLY**  
NASHVILLE, TENNESSEE  
TEL: (615) 255-4161

**FUTURE DESIGNS**  
LEITCHFIELD, KENTUCKY  
TEL: (270) 259-9311

**ELECTRICAL SALES**  
BOWLING GREEN, KENTUCKY  
TEL: (270) 843-1188  
ITEM CAN BE ORDERED

**REFERENCE PART NUMBER:**


QUAZITE, 24"x36" PG STYLE BOX  
HIGHLINE, PART# PHA243630SE1

| CODE | ITEM | NO. REQ'D | MATERIAL         |
|------|------|-----------|------------------|
| 2872 |      | 1         | UG PRIMARY VAULT |

**NOTES:**

- BOLLARDS MAY BE REQUIRED IF APPLICABLE (AT W.R.E.C.C. DISCRETION)
- USED FOR PRIMARY SINGLE PHASE SPLICE POINT.
- NO OTHER SUBSTITUTE WILL BE APPROVED. CONDUIT PLACEMENT IS CRITICAL TO INSTALLATION. CALL W.R.E.C.C. AND ASK FOR ENGINEERING DEPARTMENT WITH ANY QUESTIONS.
- SIZE AND NUMBER OF CONDUITS SHOWN ON PLANS.
- ALL CONDUIT ELBOWS SHALL BE CAPPED UPON INSTALLATION.
- ALL ELBOWS TO BE SCHEDULE 80 PVC.
- BOX SHALL NOT BE INSTALLED IN AREAS WHICH MIGHT BE SUBJECT TO WATER POOLING OR DRAINAGE.
- BOX SHALL BE INSTALLED WITH TOP 1" ABOVE FINISHED GRADE.
- 10,000 LOAD RATING (HIGHLINE)  
15 TIER RATING - BOX (QUAZITE)  
8 TIER RATING - LID (QUAZITE)

| REV | DATE     | REVISION                                                 |
|-----|----------|----------------------------------------------------------|
| 1   | 10/24/13 | CHANGED BOX DEPTH TO 30", ADDED EXCAVATION DETAILS (WMB) |



**Warren RECC**  
RURAL ELECTRIC COOPERATIVE CORPORATION  
951 FAIRVIEW AVENUE • BOWLING GREEN, KY 42102 • 270-842-6541

|                    |                       |                                                             |
|--------------------|-----------------------|-------------------------------------------------------------|
| Designed by<br>JLL | Checked by            | POLYMER CONCRETE FLUSH MOUNT<br>SINGLE PHASE PULL BOX       |
| Approved by        | Drawn by<br>WMB       | Autocad File:<br>G:\Records\Specifications\Wrecc\UM1-14.dwg |
| Date<br>03/06/09   | Scale<br>NOT TO SCALE | Drawing Name:<br><b>UM1-14</b>                              |