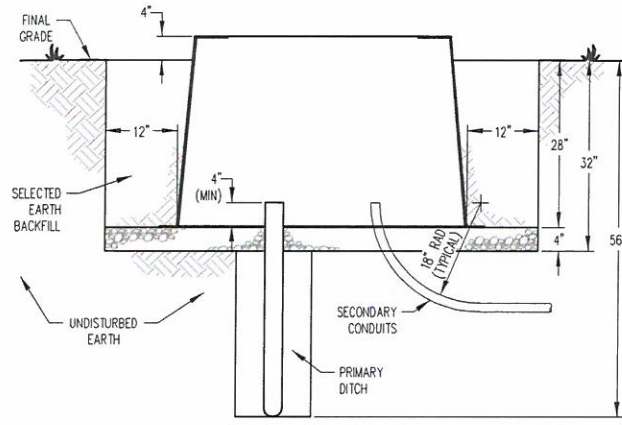
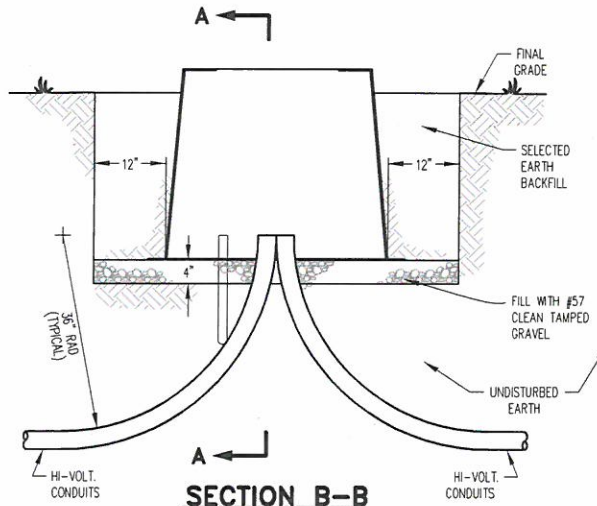


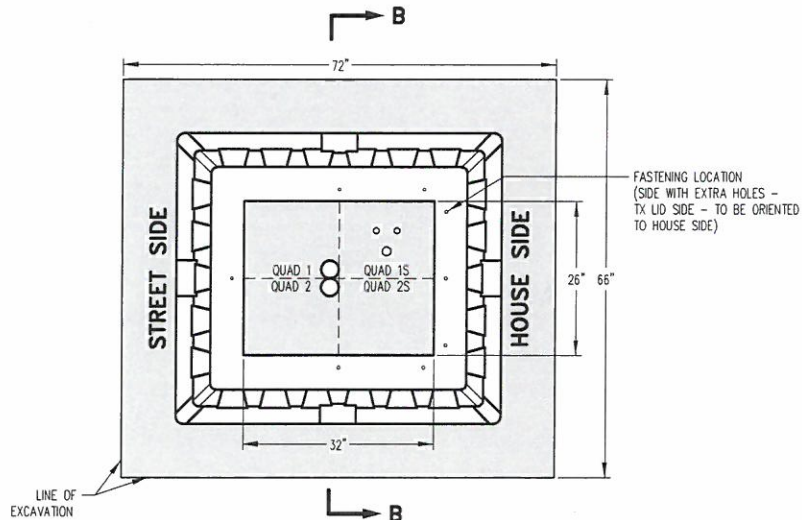
NAME: UM1-7D.dwg DATE: OCT 30, 2013 TIME: 9:16 AM



SECTION A-A



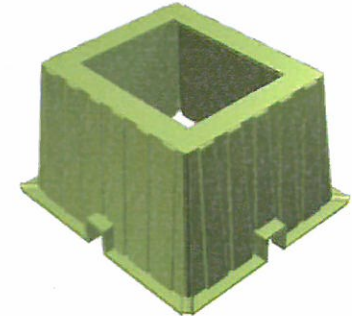
SECTION B-B



TOP VIEW

NOTES:

1. DEVELOPER SHALL INSTALL W.R.E.C.C. TRANSFORMER BOX PAD PER SPECIFICATIONS.
2. TOP VIEW SHOWS HIGH-VOLTAGE CONDUITS - #1, #2 (IF APPLICABLE) ETC. 1S, 2S ETC. SHOW RELATIVE POSITIONS OF SECONDARY (LOW VOLTAGE) CONDUITS. SEE PLANS FOR EXACT NUMBER AND SIZE OF CONDUITS.
3. ALL CONDUIT ELBOWS SHALL BE CAPPED UPON INSTALLATION.
4. DITCH SHALL COMPLY WITH PRIMARY DITCH DETAIL PROVIDED BY W.R.E.C.C. ENGINEER.
5. TOP OF BOX PAD TO BE 4" ABOVE GRADE.
6. ALL HI-VOLTAGE CONDUITS SHALL TERMINATE A MINIMUM OF 4" ABOVE GRAVEL FILL INSIDE BOX.
7. ALL LO-VOLTAGE CONDUITS SHALL TERMINATE A MINIMUM OF 4" ABOVE GRAVEL FILL INSIDE BOX.
8. REFER TO DRAWING FOR SECONDARY PULL BOX LOCATIONS AND SPECIFICATIONS.
9. ALL PRIMARY ELBOWS TO BE SCHEDULE 80 PVC.



CODE	ITEM	NO. REQ'D	MATERIAL
2870		1	UG PRIMARY VAULT

Warren RECC
RURAL ELECTRIC COOPERATIVE CORPORATION
 951 FAIRVIEW AVENUE • BOWLING GREEN, KY 42102 • 270-842-6541

REV	DATE	REVISION
1	10/30/2013	REVISED TO INCLUDE MULTIPLE VIEWS (WMB)

Designed by	Checked by ARF	GROUND SLEEVE ASSEMBLY
Approved by	Drawn by WMB	Autocad File: G:\Records\Specifications\Wrecc\UM1-7D.dwg
Date 04/02/2002	Scale NOT TO SCALE	Drawing Name: UM1-7D