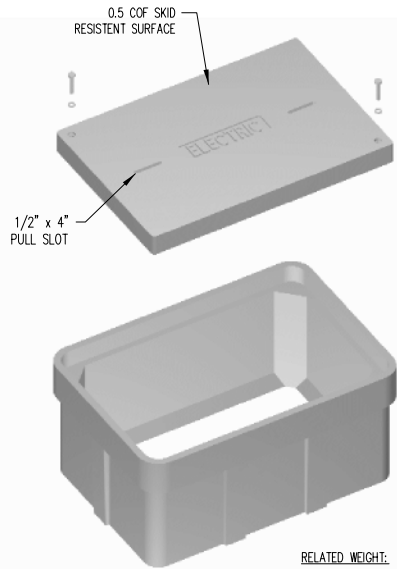
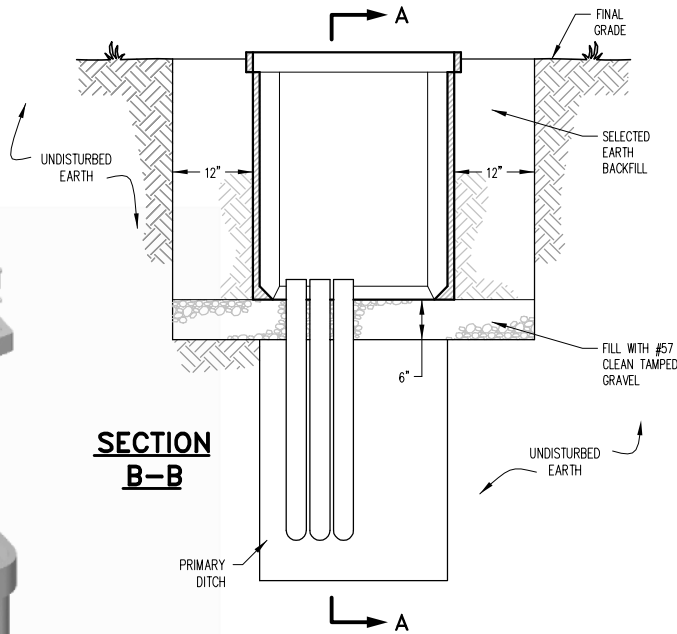
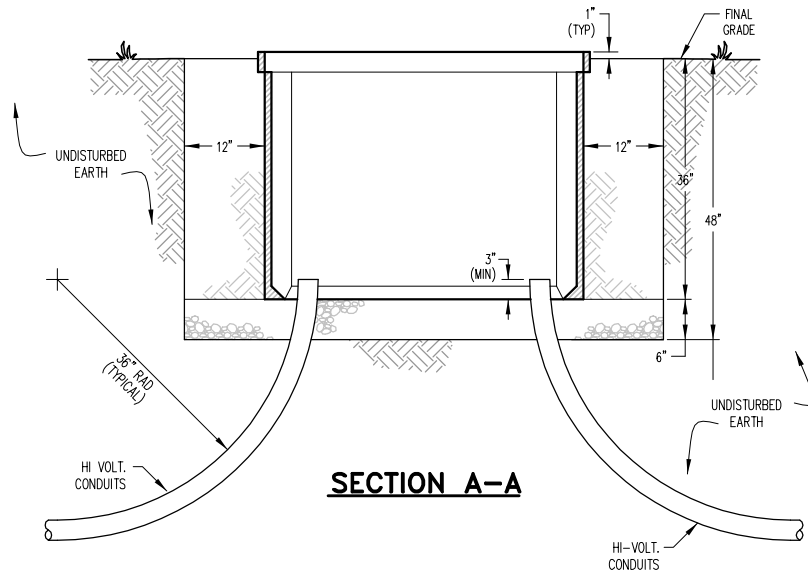
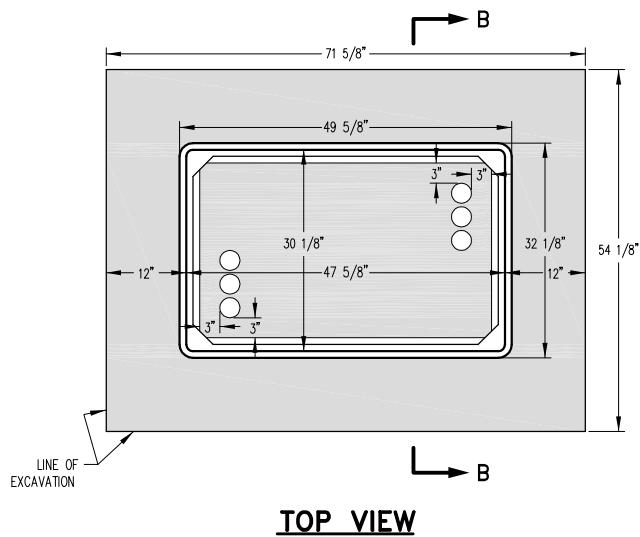


NAME: UM1-34.dwg DATE: OCT 24, 2013 TIME: 11:29 AM



RELATED WEIGHT:  
BOX = 343 lbs.  
TOP = 159 lbs.

REV	DATE	REVISION
1	10/24/13	ADDED EXCAVATION DETAILS (WMB)

CODE	ITEM	NO. REQ'D	MATERIAL
2873		1	UG PULL BOX

**NOTES:**

- BOLLARDS MAY BE REQUIRED IF APPLICABLE (AT W.R.E.C.C. DISCRETION)
- BOX SHALL BE INSTALLED WITH TOP 1" ABOVE FINISHED GRADE.
- 10,000 LOAD RATING (HIGHLINE)  
15 TIER RATING - BOX (QUAZITE)  
8 TIER RATING - LID (QUAZITE)
- BOX SHALL NOT BE INSTALLED IN AREAS WHICH MIGHT BE SUBJECT TO WATER POOLING OR DRAINAGE.
- NO OTHER SUBSTITUTE WILL BE APPROVED. CONDUIT PLACEMENT IS CRITICAL TO INSTALLATION. CONTACT ENGINEER FOR QUESTIONS.
- SIZE AND NUMBER OF CONDUITS SHOWN ON PLANS.
- ALL CONDUIT ELBOWS SHALL BE CAPPED UPON INSTALLATION.
- ALL ELBOWS TO BE SCHEDULE 80 PVC.

**REFERENCE PART NUMBER:**

QUAZITE, 30"x48" PG STYLE BOX (PART# PG3048BA36)  
HIGHLINE, PART# PHA304836SE1

**DISTRIBUTORS:**

**WINNELSON**  
BOWLING GREEN, KENTUCKY  
TEL: (270) 781-2317

**BORDER STATE SUPPLY**  
NASHVILLE, TENNESSEE  
TEL: (615) 255-4161

**FUTURE DESIGNS**  
LEITCHFIELD, KENTUCKY  
TEL: (270) 259-9311  
ITEM CAN BE ORDERED

**ELECTRICAL SALES**  
BOWLING GREEN, KENTUCKY  
TEL: (270) 843-1188  
ITEM CAN BE ORDERED



Designed by JLL	Checked by SLG	POLYMER CONCRETE FLUSH MOUNT THREE PHASE PULL BOX
Approved by	Drawn by WMB	Autocad File: G:\Records\Specifications\Wrecc\UM1-34.dwg
Date 03/06/09	Scale NOT TO SCALE	Drawing Name: <b>UM1-34</b>